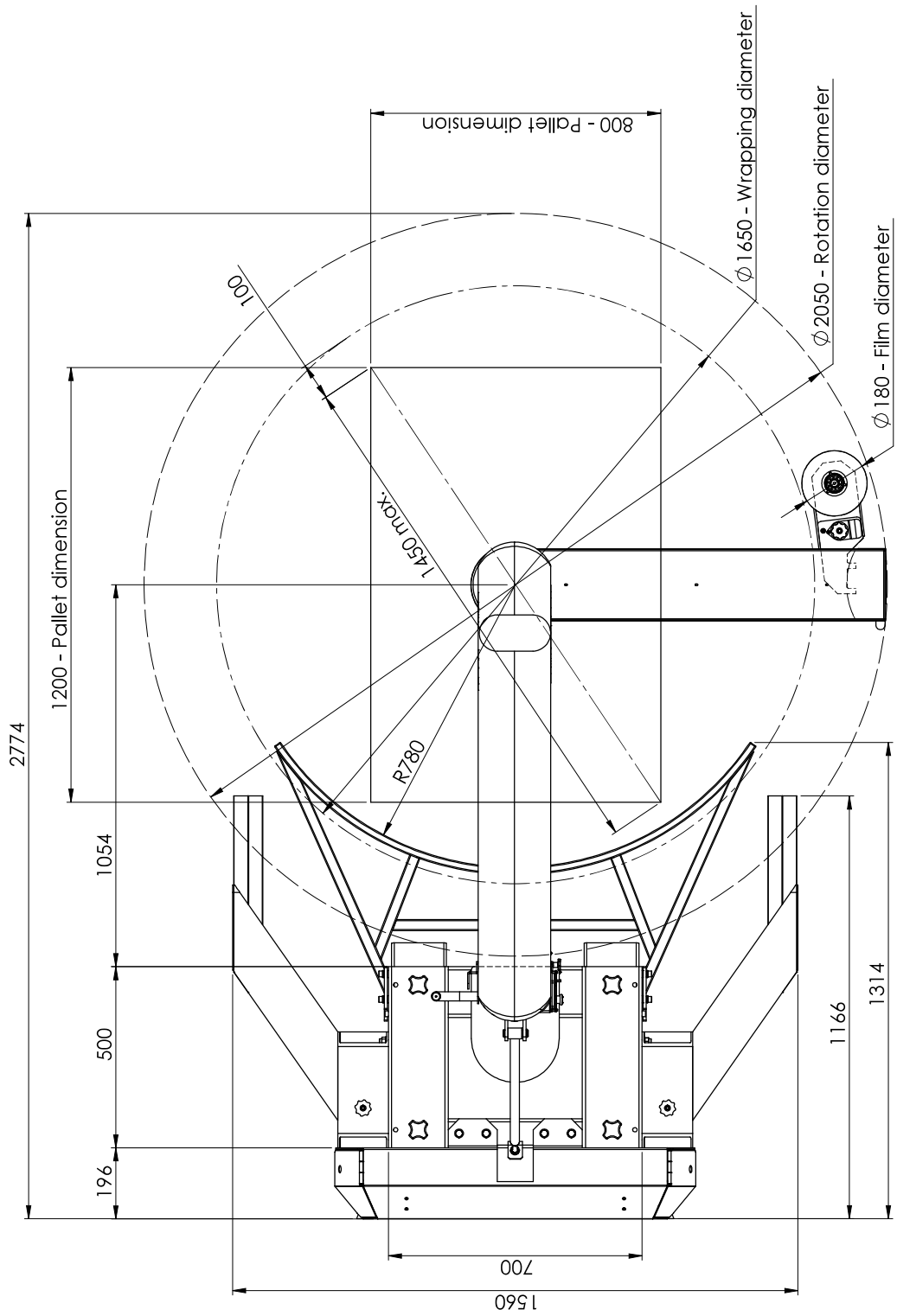


This document must not be copied without our written permission and the contents thereof must not be imparted to a third party nor be used for any unauthorized purpose contravening our written permission and the contents thereof will be prosecuted in Halolila Bulgaria



Designer	Drawn	Model Number	Scale	Weight	Replaced
PBa	PBa		1:12	170/330kg	
Description				Page	Date
Girotec II ST/STB 2000				3 / 3	10.10.2012
				Drawing Number	
				G0271500	

